

Monitor mount for 2017 P-series Dell monitors

Installation guide



Notes, cautions, and warnings

 **NOTE:** A NOTE indicates important information that helps you make better use of your product.

 **CAUTION:** A CAUTION indicates either potential damage to hardware or loss of data and tells you how to avoid the problem.

 **WARNING:** A WARNING indicates a potential for property damage, personal injury, or death.

Copyright © 2017 Dell Inc. or its subsidiaries. All rights reserved. Dell, EMC, Dell EMC and other trademarks are trademarks of Dell Inc. or its subsidiaries. Other trademarks may be trademarks of their respective owners.

Contents

1 Dell Wyse clients and Dell monitors using this mounting bracket.....	4
2 Included in the kit.....	5
3 Mounting the client.....	6



Dell Wyse clients and Dell monitors using this mounting bracket

The monitor mount for 2017 P-series monitors is designed to work with the following clients and monitors:

Supported clients:

- Dell Wyse 3010 (Tx0) thin client
- Dell Wyse 3020 (Tx0D) thin client
- Dell Wyse 3030 (N03D) thin client
- Dell Wyse 3030LT (N06D) thin client
- Dell Wyse 3040 (N10D) thin client
- Dell Wyse 5010 (Dx0D) thin client
- Dell Wyse 5020 (Dx0Q) thin client
- Dell Wyse 5030(PxN) PCoIP zero client
- Dell Wyse 5060 (N07D) thin client

Supported monitors:

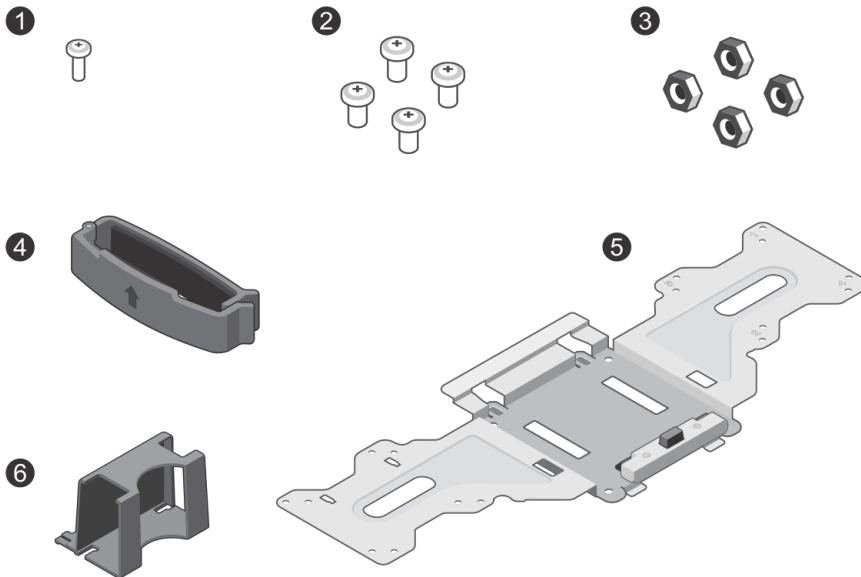
- P1917S
- P2017H
- P2217H
- P2317H
- P2417H
- P2717H
- P2418T
- P2418HZ

NOTE: This mount is only designed to work with the Dell monitors and clients listed here. This should not be used with other monitors or client products.

Included in the kit

Parts provided in the kit include:

- 1 One screw (M2.5x0.45)
- 2 Four screws (M4x0.7-6)
- 3 Four hex nuts (M4x0.7)
- 4 One stopper
- 5 One monitor mount for P-series monitors
- 6 One power adaptor holder



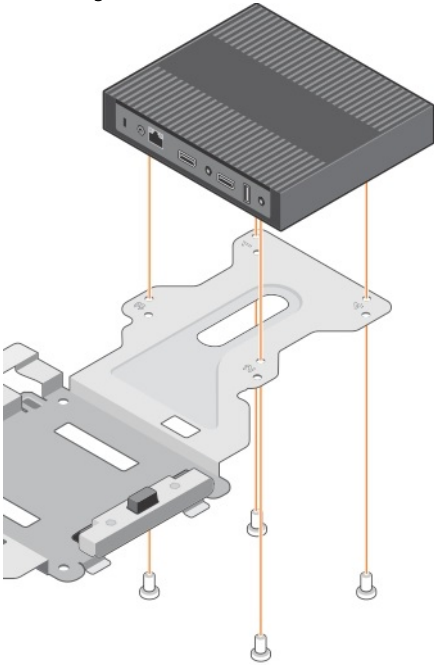
NOTE:

Dell Wyse 3040 requires wall mount 575-BBMK with the P-series mounting bracket for monitor mounting.

Mounting the client

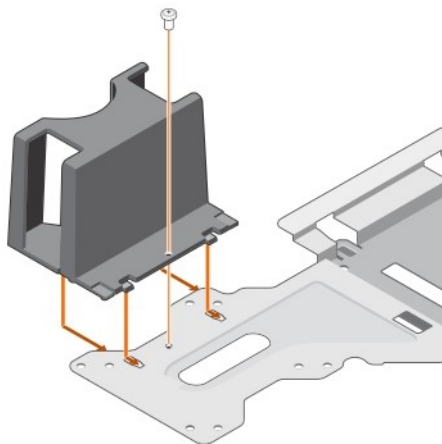
Use the following instructions for mounting the client to the P-series mount.

- 1 **Preparing the client** —Use a Phillips-head screwdriver to remove the four (4) filler screws from the side of the client and discard them.
- 2 **Attaching the client** —Install the thin client on the P-series mount with the (4) M4x0.7 screws included in the kit.



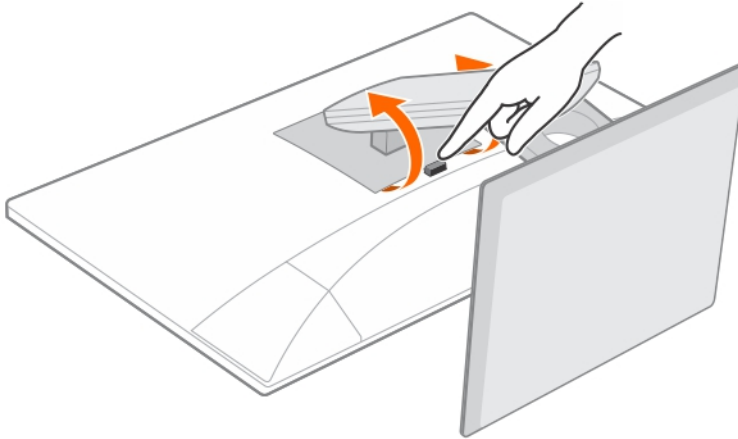
CAUTION: The power button should face outwards and air vents should be on top end for proper heat dissipation.

- 3 **Attaching the Power Adaptor Holder** —Slide the small hooks downward into the vertical slotted holes and the large hooks onto the top edge of the mount. Use the M2.5x0.45 screw provided to secure the 'power adaptor holder' onto the mount where indicated.



- 4 **Attaching P-series mount to the monitor**
—Place the monitor panel face down on a soft cloth or cushion.

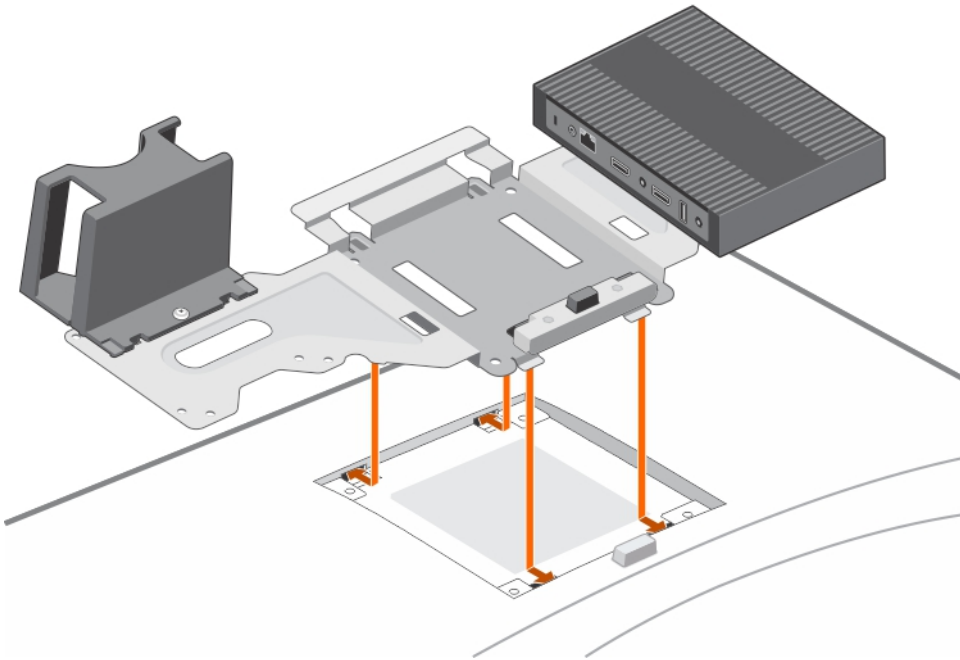
—Remove the stand from the monitor by pushing the monitor's quick release button.



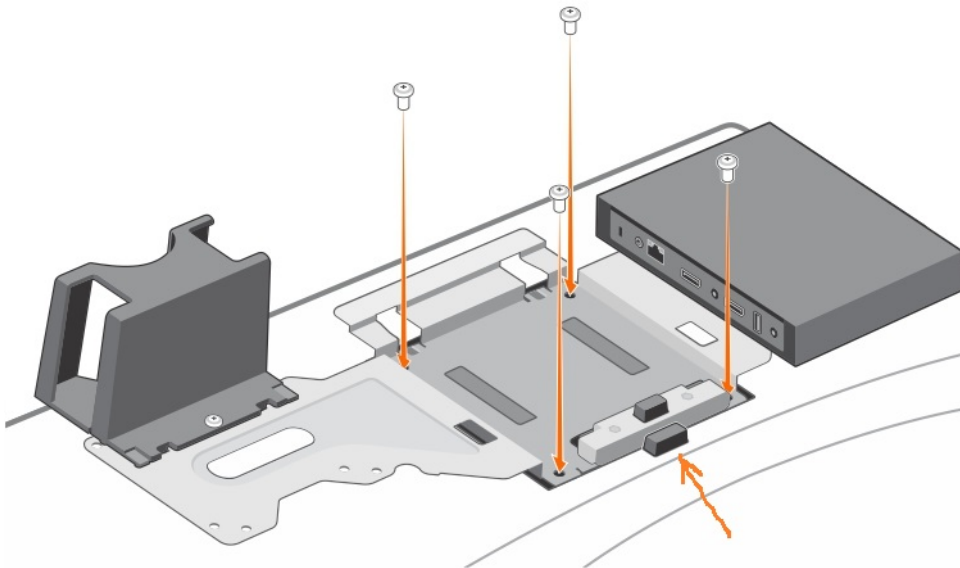
NOTE: For ease of installation, position the monitor with the base of the stand hanging over the edge of the table.

—Remove the four (4) monitor screws from the back of the monitor and set them aside.

—Position the P-series mount's central section on the back of the monitor. Tilt and slide the mount's top tabs into the dedicated tab slots, and then firmly slide down bottom edge of mount until it snaps in place.

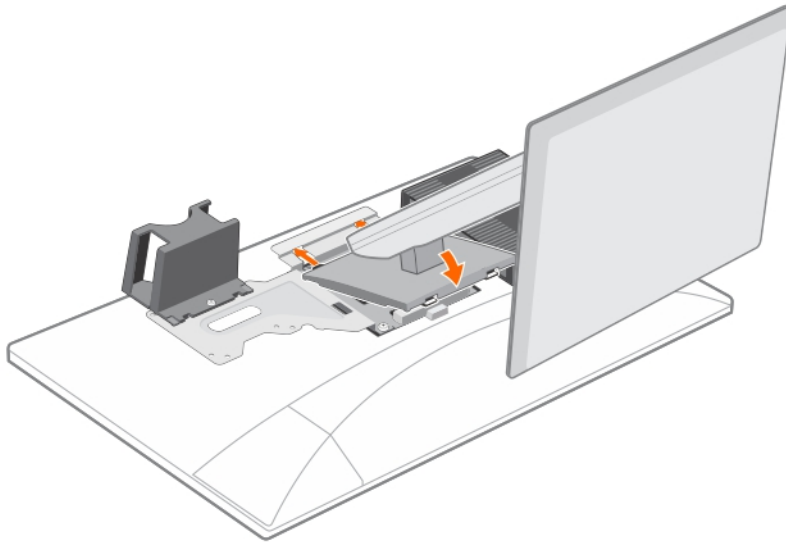


—Reinstall the monitor screws that you had set aside (do not over-tighten).



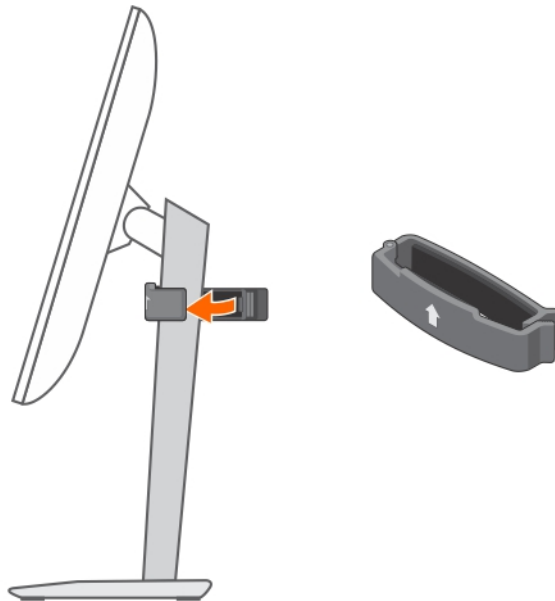
CAUTION: If you need to remove the P-series mount, remove monitor screws and then press the lower quick release button on the monitor, not the upper release button on the mount.

- 5 **Reinstalling the monitor stand**- Insert the upper stand tabs into the dedicated space on the P-series mount and gently press down until the quick release button latches in. Place the monitor in the upright standing position.



- 6 **Adjusting and securing monitor height (optional)** -

For portrait orientation - Raise the monitor to maximum height and attach the stopper. Make sure that the arrow on the stopper is facing up and facing front side of the stand. Wrap the stopper around the stand and snap the ends.



NOTE:

The stopper is only required for P-series monitors with height adjustable stands. The stopper is needed to hold the monitor in place at the desired height.

- 7 **Connecting cables**- Make all desired connections, and then connect the power adapter's AC power cord to an electrical outlet.